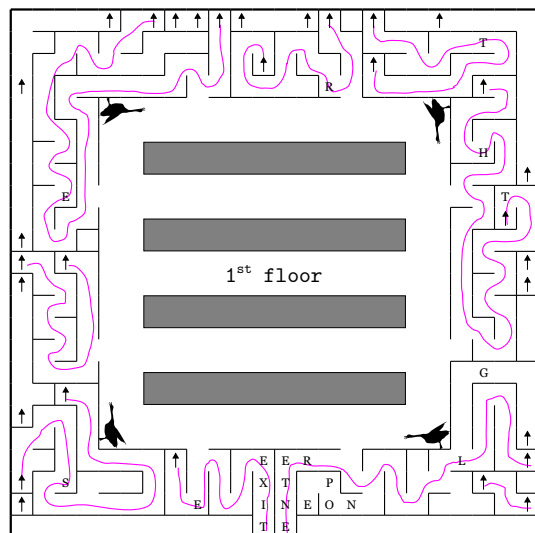
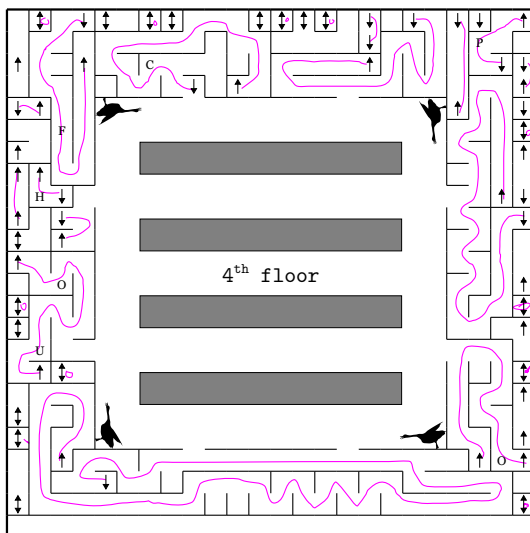
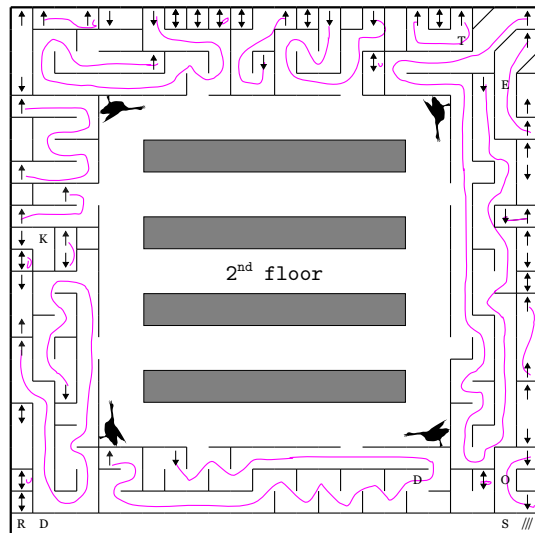
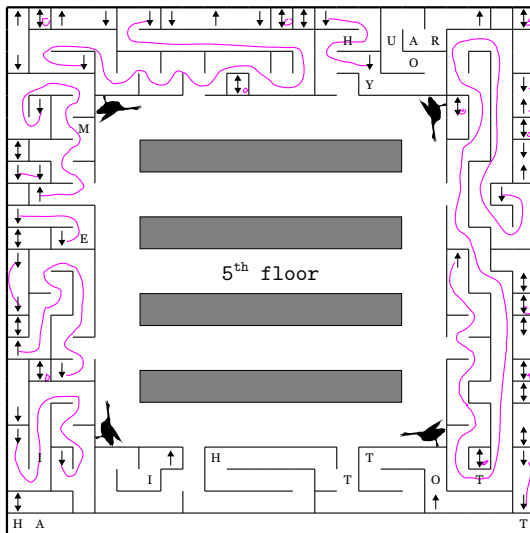
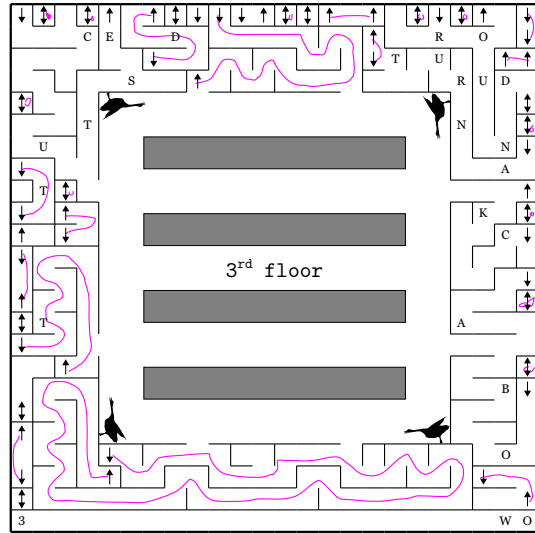
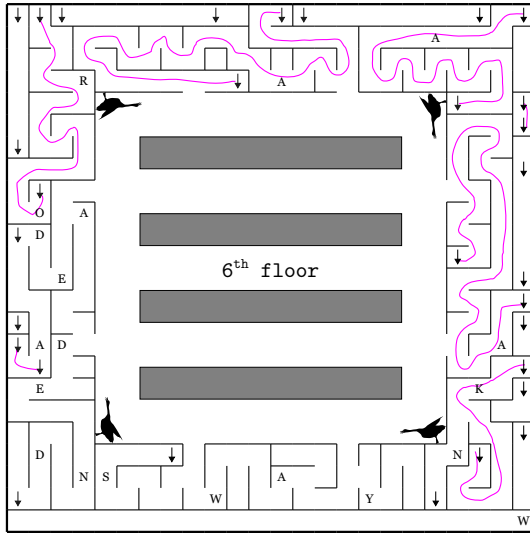


# Meta - Solution



The first step is to find your way through the 3-dimensional maze that is the Dana Porter library, starting on the first floor where the letters read out ENTER, and finishing right next to the entrance at EXIT. An up arrow indicates you are able to travel to the floor directly above, and a down arrow indicates you can travel to the floor below. There is only one way through that does not involve any backtracking. Here it is:



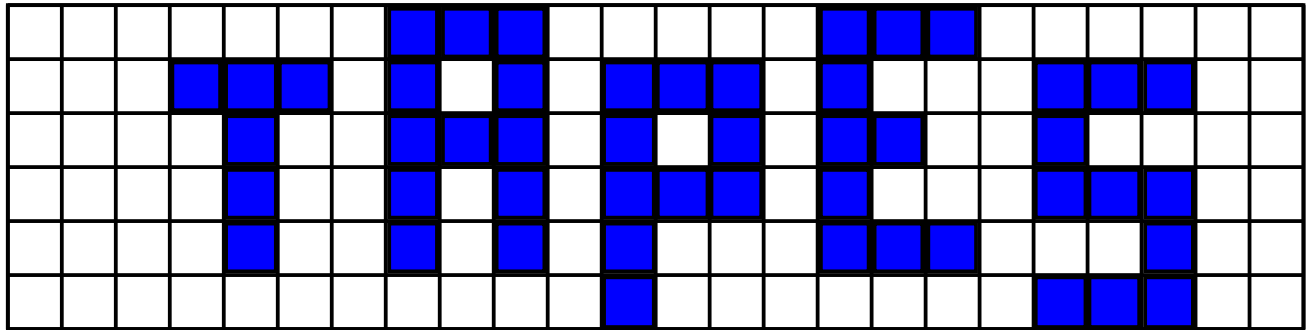
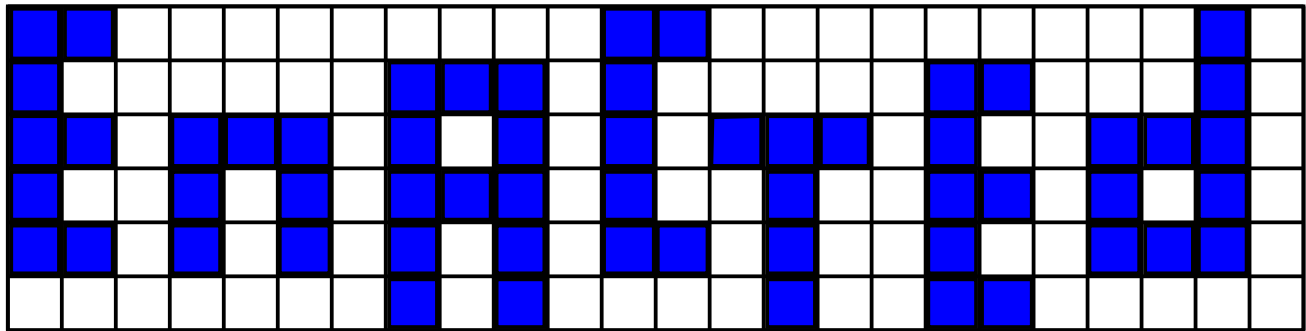
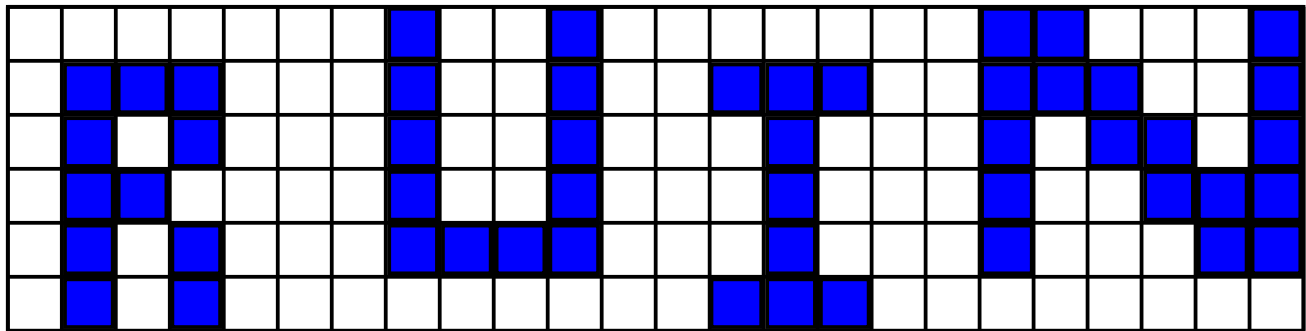
# Meta - Solution



If you go down a path that leads to a dead end and read the letters you pass along the way, you get any of the following messages:

NOPE  
NOT THIS WAY  
A DEAD END  
TURN AROUND  
GO BACK  
YOU ARE STUCK

If you avoid these messages, the path traced above reads out "LOOK AT THE PATH TRACED FROM THE OUTSIDE". So, we do exactly that! We imagine looking in from the outside of the library, paying attention to which windows are passed while traversing the maze. Besides the entrance and exit, no windows on the South side (the side of the building facing the bottom of the page) are passed. Here are pictures of which windows are passed on the East, North, and West sides of the building respectively (the windows passed are in blue):



These are definitely the words "RUIN ENACTED TAPES". It is a well-known fact that square buildings have 4 sides, so what's going on with the front? Well, the front is the only side that has any letters in the windows, and if we look at the front, ignoring the entrance and exit, we have:





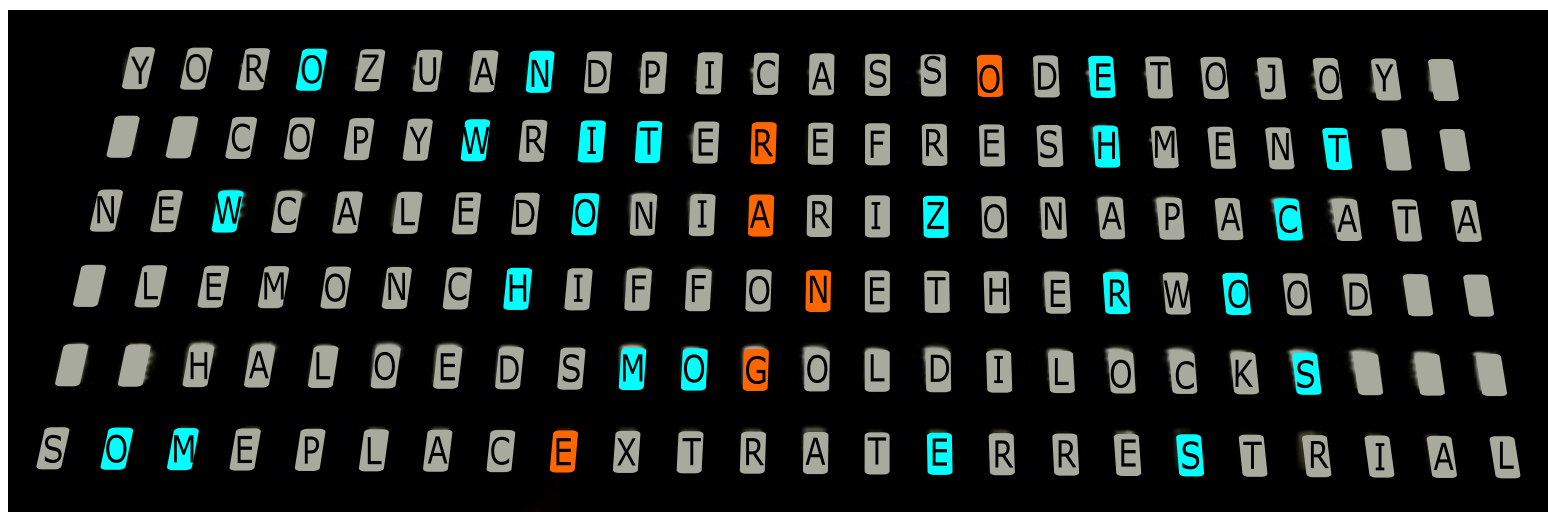
# Meta - Solution



The next step is to use the solutions to the other puzzles, and overlay them on the windows in the image. There are 6 rows of windows in the image, and all 6 faculties are represented exactly twice in the first 12 puzzles. Coincidence? No. Here are the 12 answers, paired together by faculty:

YOROZUANDPICASSO - ODETOJOY  
COPYWRITER - REFRESHMENT  
NEWCALEDONIA - AIRZONAPACATA  
LEMONCHIFFON - NETHERWOOD  
HALOEDSMOG - GOLDBLOCKS  
SOMEPLACE - EXTRATERRESTRIAL

For each pair of answers, the final letter of one is the same as the beginning letter of the other. This is unambiguous in all cases except the first listed above. The overlapping letters give, in alphabetical order, either AEGNOR or AEGNRY. The first anagrams to ORANGE, and there are orange windows, so let's use that one. In fact, let's put the letters ORANGE on the orange windows from top to bottom! This gives:



There are a few things to notice here. First, the blue windows spell out

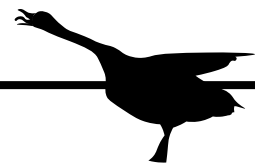
ONE WITH TWO Z CHROMOSOMES


It turns out that female birds have one Z and one W chromosome, whereas males have two Z chromosomes. So the answer is the name of a male goose, which of course is

GANDER

Now the question is what to do with this word. That's where the second observation about the image above comes in. The windows that spell out WHAT3WORDS/// from the first part of the puzzle are not occupied by the answers in the second part of the puzzle. This is a clue that What3Words must be used again somehow. This is where the third observation comes in: We haven't used any of the answers from the three puzzles that were released with the meta. Those three answers, in order of the goose number indicated at the top of each puzzle, are PRESUME, DEPENDED, INFLICT. Inputting those into What3Words.com directs you to a lightpost behind the Grad House where you would have found the final box:

# Meta - Solution



 Please enter your key into the website before opening this box. Once you have opened the box, please read the instructions inside carefully.

To open the box, enter the code into the combination locks as follows.  
If the code is "ANSWER", set the combinations to:


**- - A N S W E R - -**

This box is part of the Key Clues challenge, and will be removed on Oct 3. If you have concerns, email keyclueschallenge@gmail.com



Inputting GANDER into the padlocks opens the box, revealing the key and the following message:

**HONK!**



**CONGRATULATIONS!**

You have freed the students from the wings of the terrorising geese. The university is eternally grateful to you and your team. Here are the instructions for your final mission.

1. Ensure your key is correctly entered in the website.
2. Switch your team's key with the key inside this box.
3. Fold up this piece of paper and place it back in the box as you found it.
4. Close the box and reattach the locks, scrambling the wheels on the locks.
5. Place the box back where you found it.

Keep your new key safe! **DO NOT** enter the new key anywhere on the website. Bring your new key along to the wrap up party in the DC Fishbowl at 1430 on October 5. See you there!

Page 1 of 1

## Author's notes:

The whole meta puzzle, and the theme for the hunt, was inspired by a prank that was brought up by one of the enigmatologists in our very first planning meeting. In the prank, someone had opened and closed curtains in the Dana Porter at night to spell out a profanity. Not only was this a real prank, but it was also fantastic inspiration for a Dana Porter based puzzle. The use of What3Words was the idea of one of the other enigmatologists, who showed me the app about 6 years ago saying at the time "this would make for a cool puzzle." A special mention must go to KW Escape, who generously let me rifle through their big box of padlock wheels to find the right ones to spell out --GANDER--.

This puzzle was a lot of fun to write, and I hope those of you who managed to solve it had as much fun solving it!